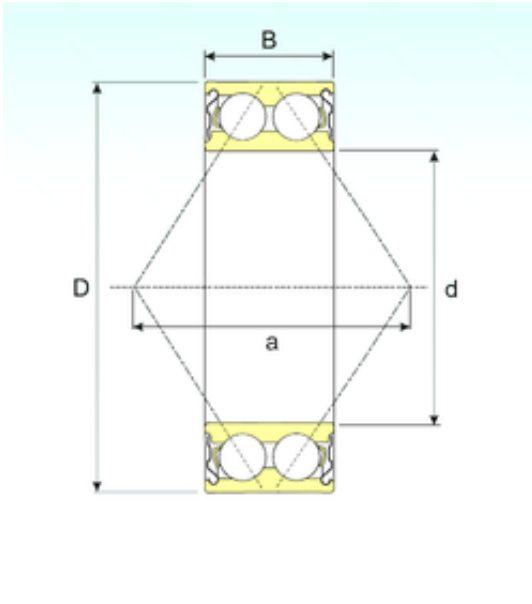




LYC BEARING CORP.OF German LTD.



3303-ZZ Bearing 2D drawings and 3D CAD models

17 mm x 47 mm x 22,2 mm ISB 3303-ZZ
angular contact ball bearings

Bearing No. 3303-ZZ

Size	17x47x22.2 mm
Bore Diameter	17 mm
Outer Diameter	47 mm
Width	22,2 mm
d	17 mm
D	47 mm
B	22,2 mm
C	22,2 mm
a	28 mm
Weight	0,18 Kg
Basic dynamic load rating (C)	21,17 kN
Basic static load rating (C0)	12,45 kN
(Grease) Lubrication Speed	13300 r/min