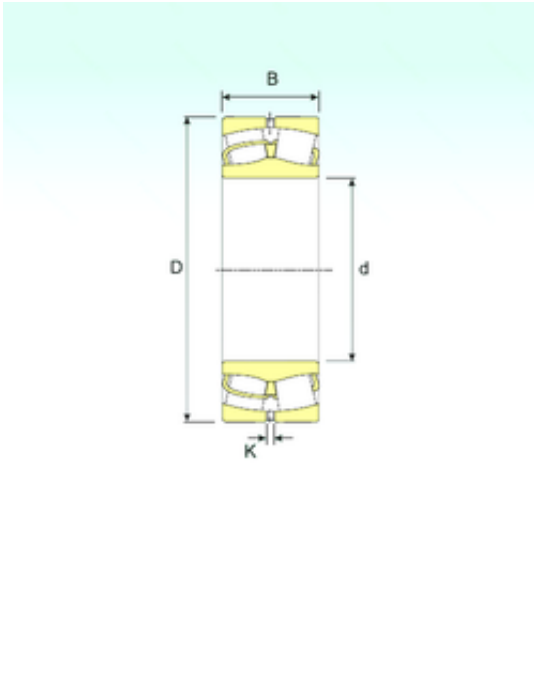




LYC BEARING CORP. OF German LTD.



22236 Bearing 2D drawings and 3D CAD models

180 mm x 320 mm x 86 mm ISB 22236 spherical roller bearings

Bearing No. 22236

Size	180x320x86 mm
Bore Diameter	180 mm
Outer Diameter	320 mm
Width	86 mm
d	180 mm
D	320 mm
B	86 mm
C	86 mm
K	9 mm
Weight	29,5 Kg
Basic dynamic load rating (C)	1156 kN
Basic static load rating (C0)	1529 kN
(Grease) Lubrication Speed	1989 r/min