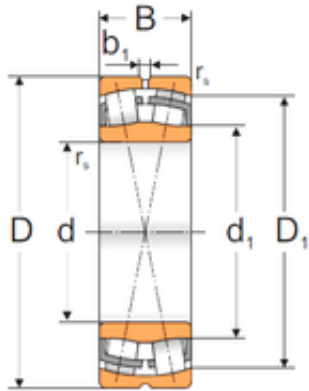




LYC BEARING CORP. OF German LTD.

180 mm x 320 mm x 86 mm Loyal 22236
ACMW33 spherical roller bearings



Bearing No. 22236 ACMW33

Size	180x320x86 mm
Bore Diameter	180 mm
Outer Diameter	320 mm
Width	86 mm
d	180 mm
D	320 mm
B	86 mm
C	86 mm
b1	16 mm
d1	224 mm
r5 min.	4 mm
D1	279 mm
Weight	30,47 Kg
Basic dynamic load rating (C)	1054 kN
Basic static load rating (C0)	1577 kN
(Grease) Lubrication Speed	1200 r/min
(Oil) Lubrication Speed	1600 r/min
Calculation factor (e)	0,28
Calculation factor (Y0)	2,32
Calculation factor (Y1)	2,37

22236 ACMW33 Bearing 2D drawings and 3D CAD models