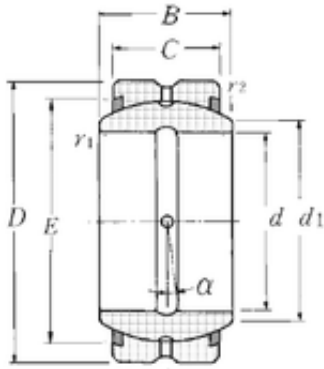




LYC BEARING CORP. OF German LTD.

20 mm x 35 mm x 16 mm NTN SA1-20BSS
plain bearings



Bearing No. SA1-20BSS

Size	20x35x16 mm
Bore Diameter	20 mm
Outer Diameter	35 mm
Width	16 mm
d	20 mm
D	35 mm
B	16 mm
C	12 mm
d1	23,7 mm
r1 min.	0,6 mm
r2 min.	0,6 mm
E	29,2 mm
Angle	9 °
Weight	0,065 Kg
Category	Plain Bearings
Inventory	0.0
Manufacturer Name	NTN
Minimum Buy Quantity	N/A
Weight / Kilogram	0.06
EAN	4547359180114
Product Group	B04264

SA1-20BSS Bearing 2D drawings and 3D CAD models