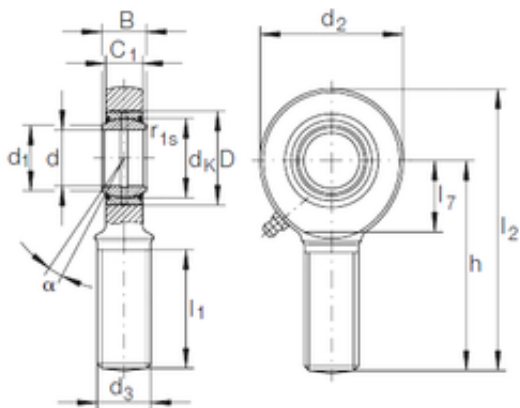




LYC BEARING CORP. OF German LTD.

20 mm x 35 mm x 16 mm INA GAR 20 DO plain bearings



Bearing No. GAR 20 DO

Size	20x35x16 mm
Bore Diameter	20 mm
Outer Diameter	35 mm
Width	16 mm
d	20 mm
D	35 mm
B	16 mm
d1	24,1 mm
d2	53 mm
dk	29 mm
h	78 mm
l1 min.	43 mm
l2 max.	104,5 mm
l7 min.	27 mm
r1 min.	0,3 mm
C1	13 mm
Thread (G)	M20X1,5
Angle	9 °
Weight	0,31 Kg
Basic dynamic load rating (C)	30 kN

GAR 20 DO Bearing 2D drawings and 3D CAD models