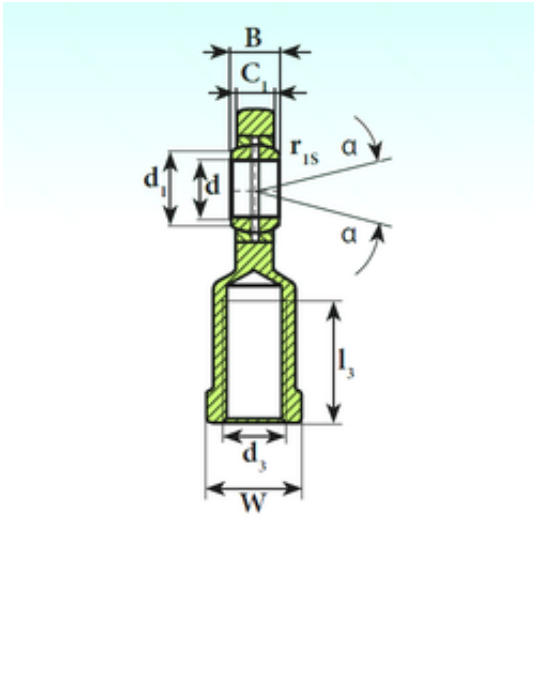




LYC BEARING CORP. OF German LTD.



SI 20 ES Bearing 2D drawings and 3D CAD models

20 mm x 35 mm x 16 mm ISB SI 20 ES plain bearings

Bearing No. SI 20 ES

Size	20x35x16 mm
Bore Diameter	20 mm
Outer Diameter	35 mm
Width	16 mm
d	20 mm
D	35 mm
B	16 mm
d1	24,1 mm
d2	53 mm
d4	27,5 mm
dk	29 mm
h1	77 mm
l3 min.	40 mm
l4 max.	103,5 mm
l5	10 mm
l7 min.	27,5 mm
r min.	0,6 mm
C1	13 mm
W	32 mm
Thread (G)	M20x1,5
Angle	9 °
d5	35 r/min
Weight	0,35 Kg
Basic dynamic load rating (C)	30 kN