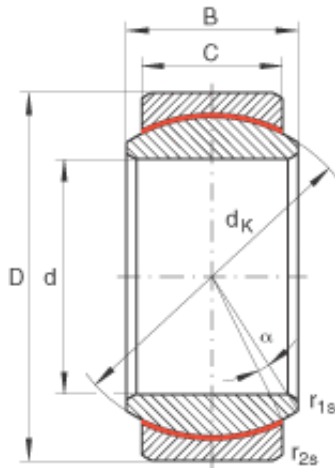




LYC BEARING CORP. OF German LTD.



INA GE20-UK plain bearings

Bearing No. GE20-UK

Size	20x35x16 mm
Bore Diameter	20 mm
Outer Diameter	35 mm
Width	16 mm
C	12 mm
D _{a min}	27,5 mm
d _{a max}	24,1 mm
d _K	29 mm
r _{1s min}	0,3 mm
r _{2s min}	0,3 mm
alf (°)	9
Weight (kg)	0,06
C _r (N)	31300
C _{0r} (N)	78300
Category	Spherical Plain Bearings - Radial
Inventory	0.0
Manufacturer Name	SCHAEFFLER GROUP
Minimum Buy Quantity	N/A
Weight / Kilogram	0.072
Product Group	B04264
Self Aligning	Yes
Rolling Element	Spherical Plain
Material - Outer Member	Steel
Material - Ball	Steel
Material - Liner	Teflon

GE20-UK Bearing 2D drawings and 3D CAD models



LYC BEARING CORP.OF German LTD.

Relubricatable	No
Enclosure	Open
Other Features	2 Piece Axially Split Outer Ring
Long Description	20MM Bore; 12MM Housing Width; 35MM Outside Diameter; Spherical Plain; Steel Outer Member; Steel Ball; Teflon Liner; 16MM Overall Width; Not Relubricatable
Inch - Metric	Metric
Category	Plain Bearings Spherical Radial
UNSPSC	31171515
Harmonized Tariff Code	8483.30.80.70
Noun	Bearing
Keyword 3	Spherical
Keyword String	Plain Spherical Radial
Manufacturer URL	http://www.ina.com
Manufacturer Item Number	GE20UK
Weight / LBS	0.135
Housing Width	0.472 Inch 12 Millimeter
Overall Width	0.63 Inch 16 Millimeter
Bore	0.787 Inch 20 Millimeter
Outside Diameter	1.378 Inch 35 Millimeter