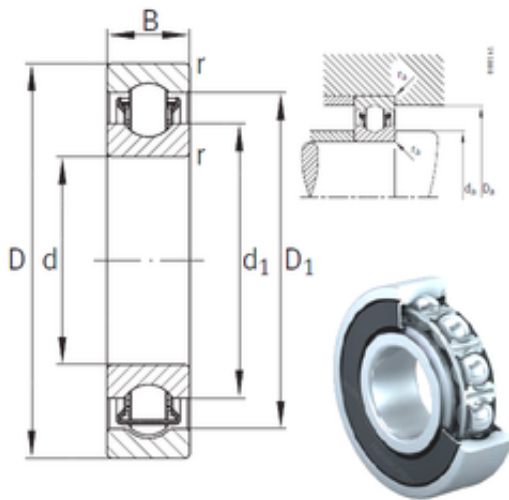




LYC BEARING CORP. OF German LTD.



20 mm x 42 mm x 12 mm INA BXRE004-2HRS
needle roller bearings

Bearing No. BXRE004-2HRS

BXRE004-2HRS Bearing 2D drawings and 3D CAD models

Size	20x42x12 mm
Bore Diameter	20 mm
Outer Diameter	42 mm
Width	12 mm
d	20 mm
D	42 mm
B	12 mm
C	12 mm
d1	27,6 mm
r min.	0,6 mm
D1	35,4 mm
da min.	23,2 mm
Da max.	38,8 mm
ra max.	0,6 mm
Weight	0,066 Kg
Basic dynamic load rating (C)	15,2 kN
Basic static load rating (C0)	9,5 kN
Fatigue load limit (Pu)	480