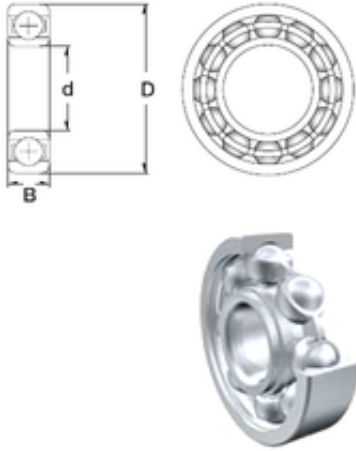




LYC BEARING CORP.OF German LTD.



3,175 mm x 9,525 mm x 3,967 mm ZEN R2-2Z
deep groove ball bearings

Bearing No. R2-2Z

Size	3.175x9.525x3.967 mm
Bore Diameter	3,175 mm
Outer Diameter	9,525 mm
Width	3,967 mm
d	3,175 mm
D	9,525 mm
B	3,967 mm
C	3,967 mm
Basic dynamic load rating (C)	0,631 kN
Basic static load rating (C0)	0,219 kN
(Grease) Lubrication Speed	56000 r/min

R2-2Z Bearing 2D drawings and 3D CAD models