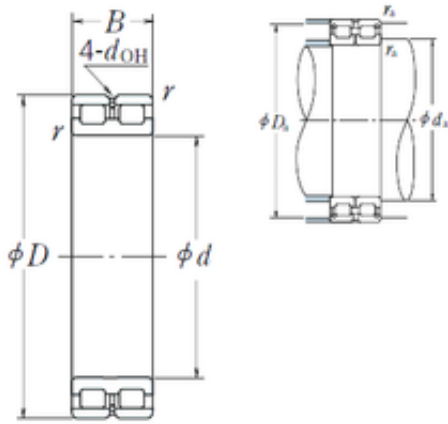




LYC BEARING CORP. OF German LTD.



380 mm x 520 mm x 140 mm NSK RSF-4976E4 cylindrical roller bearings

Bearing No. RSF-4976E4

RSF-4976E4 Bearing 2D drawings and 3D CAD models

Size	380x520x140 mm
Bore Diameter	380 mm
Outer Diameter	520 mm
Width	140 mm
d	380 mm
D	520 mm
B	140 mm
C	140 mm
r min.	4 mm
da min.	396 mm
Da max.	504 mm
ra max.	3 mm
Weight	90,5 Kg
Basic dynamic load rating (C)	2040 kN
Basic static load rating (C0)	5200 kN
(Grease) Lubrication Speed	240 r/min
hidYobi	RSF-4976E4
LangID	1
D_	520
B_	140
hidTable	ecat_NSCLDRS
Oil rpm	240
mass	90.5
GRS rpm	450
ra	3



LYC BEARING CORP.OF German LTD.

da_min	396
C0	5200
DE_	482.5
Prod_Type3	CRB_FRFS_OT_FREE
DA_	32
Z_	44
yobi	RSF-4976E4
da_max	504
SDM_	450.5
r	4
KBRG	4220
disp	8
DI_	418.5
doh	11