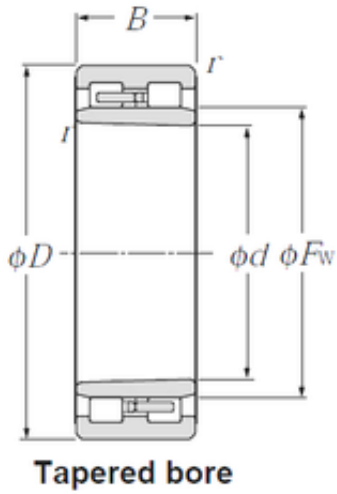




LYC BEARING CORP. OF German LTD.



380 mm x 520 mm x 140 mm NTN NNU4976K cylindrical roller bearings

Bearing No. NNU4976K

Size	380x520x140 mm
Bore Diameter	380 mm
Outer Diameter	520 mm
Width	140 mm
d	380 mm
Fw	425 mm
D	520 mm
B	140 mm
C	140 mm
r min.	4 mm
Weight	80,6 Kg
Basic dynamic load rating (C)	1 630 kN
Basic static load rating (C0)	4 050 kN
(Grease) Lubrication Speed	1 000 r/min

NTN NNU4976K Bearing 2D drawings and 3D CAD models